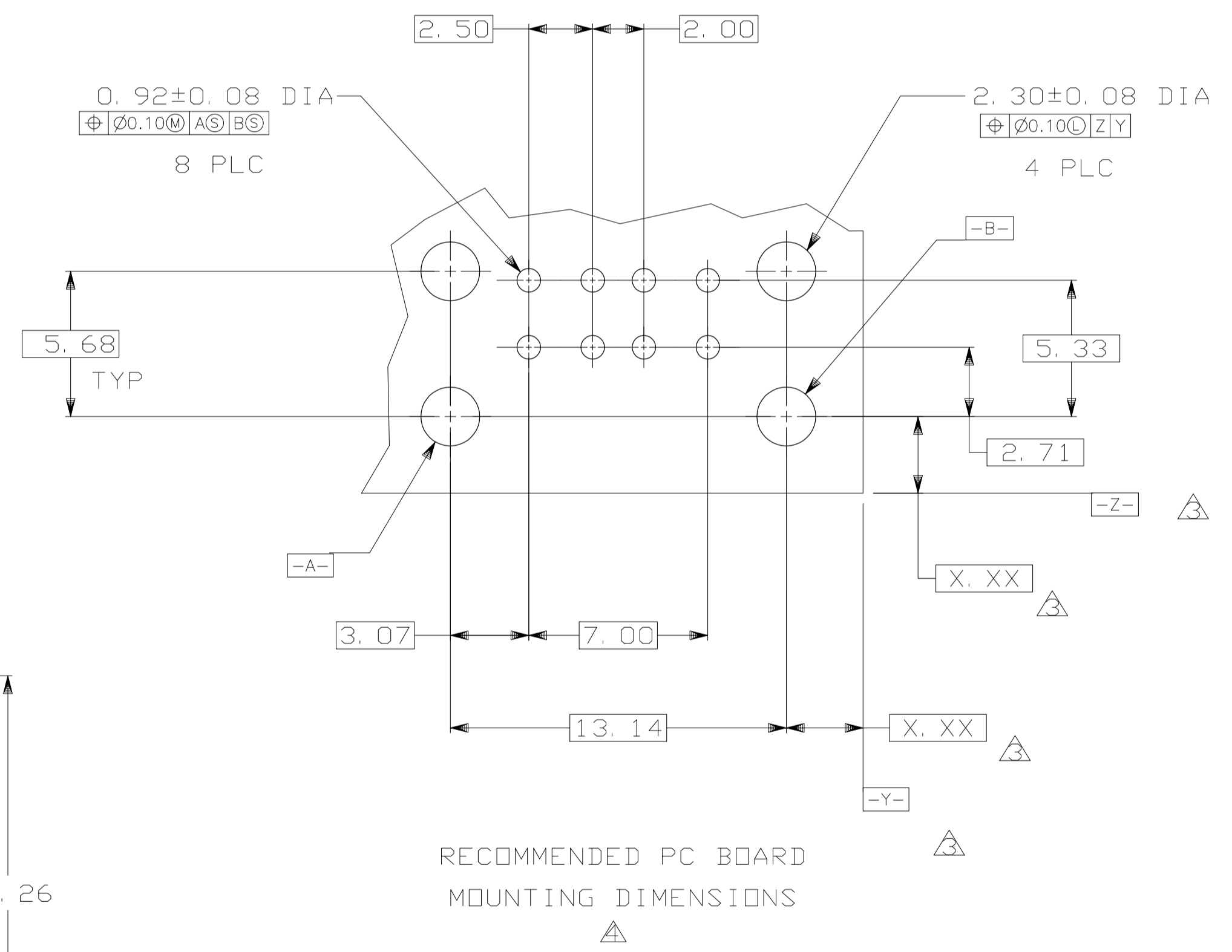
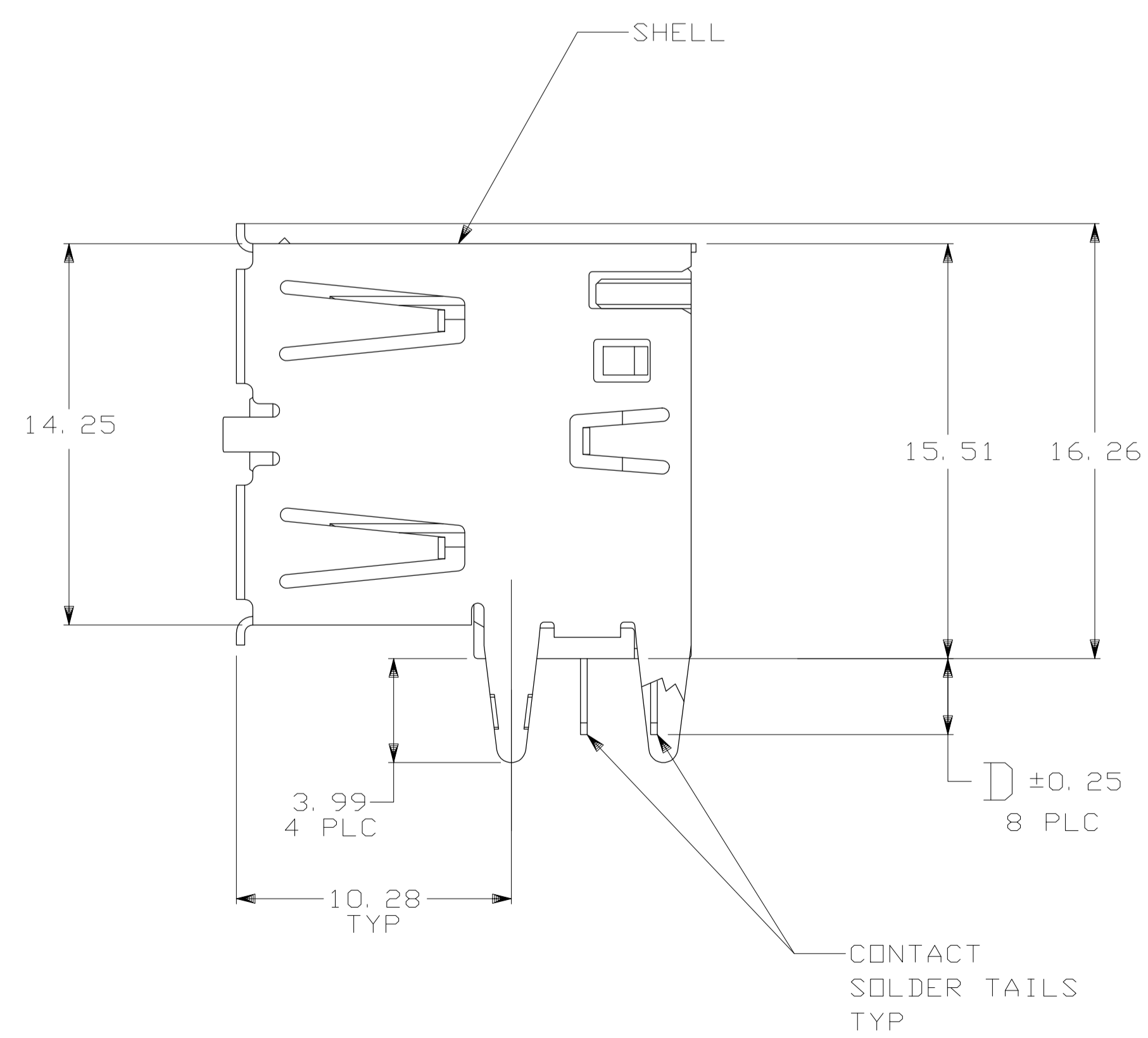
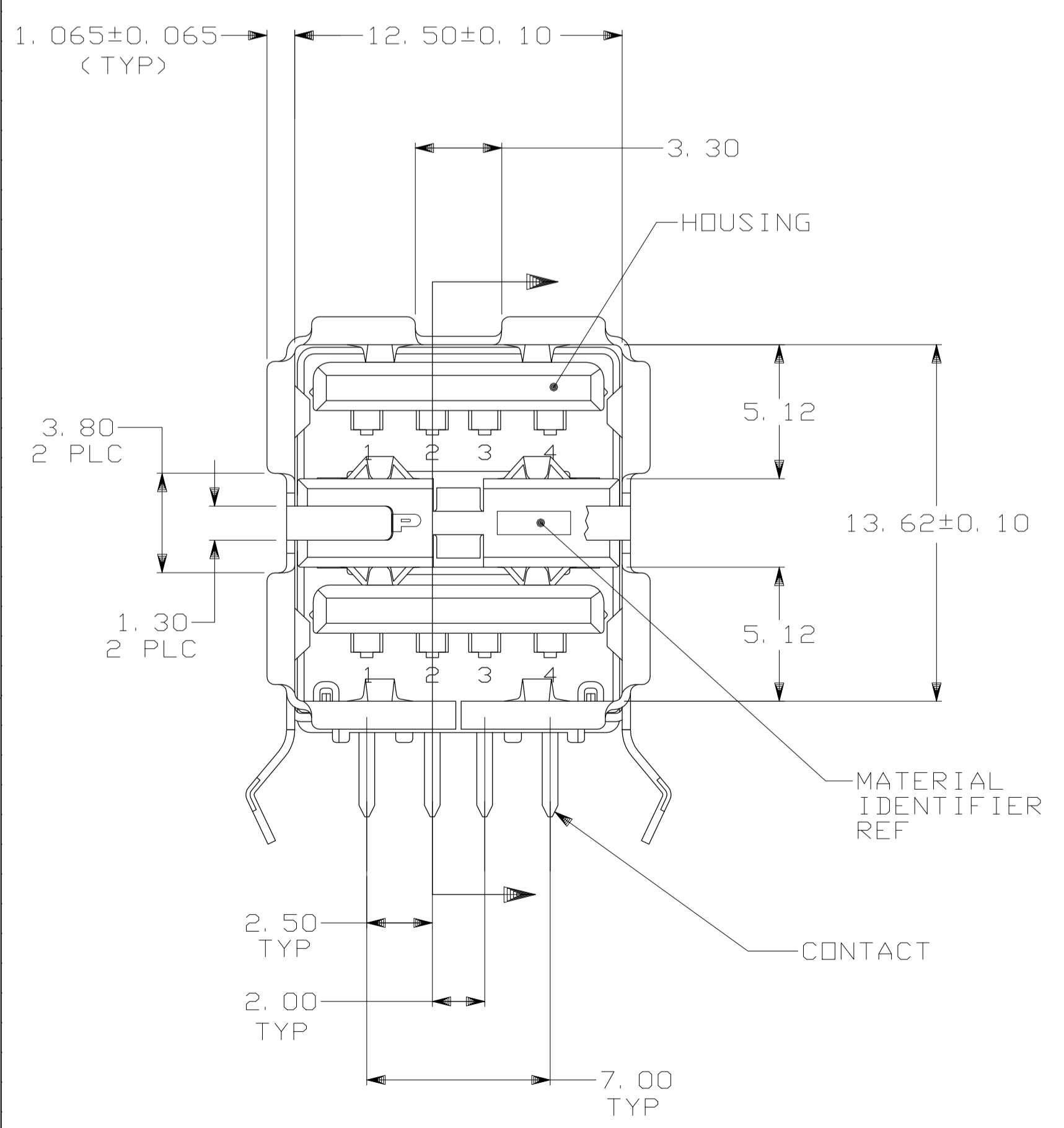


- ⚠ MATERIAL:  
SHELL & CONTACTS- COPPER ALLOY.  
HOUSING- UL 94V-0 RATED, THERMOPLASTIC, SEE TABLE.
- ⚠ PLATING:  
CONTACTS- 0.076 MICROMETERS MINIMUM GOLD OVER 0.76 MICROMETERS MINIMUM PALLADIUM-NICKEL ON MATING AREA. OR CONTACT ALTRENATE PLATING 0.76 MICROMETERS MINIMUM GOLD ON MATING AREA.  
3.80 MICROMETERS MINIMUM TIN ON SOLDER TAILS.  
BOTH OVER 1.27 MICROMETERS MINIMUM NICKEL.  
SHELL: 2~5μm THICK TIN
- ⚠ DATUM AND BASIC DIMENSIONS ESTABLISHED BY CUSTOMER.
- ⚠ RECOMMENDED PC BOARD THICKNESS OF 1.57.

LEAD FREE



YES	2.29±0.25	BLACK	5787745-5
YES	2.84±0.25	BLACK	5787745-4
NO	2.84±0.25	NATURAL	5787745-3
NO	2.29±0.25	BLACK	5787745-2
NO	2.84±0.25	BLACK	5787745-1
HIGH TEMPERATURE COMPATIBLE	D	HOUSING COLOR	PART NUMBER

THIS DRAWING IS A CONTROLLED DOCUMENT.		DIN	26OCT2004	<b>STE</b> TE Connectivity
DIMENSIONS: mm		LEO ZHOU	26OCT2004	
TOLERANCES UNLESS OTHERWISE SPECIFIED:		CHK	26OCT2004	NAME RECEPTACLE ASSEMBLY, RIGHT ANGLE, STACKED, THRU-HOLE, USB
0 PLC ± -		STEVEN YAO	26OCT2004	
1 PLC ± 0.35		APVD	26OCT2004	PRODUCT SPEC -
2 PLC ± 0.25		NAME		
3 PLC ± 0.15		APPLICATION SPEC		SIZE A1
4 PLC ± - 3°		WEIGHT		
MATERIAL		FINISH		SCALE 1:1
		CUSTOMER DRAWING		SHEET 1 OF 1
		REV	A2	